

# DIGESTER GAS FLOW METERING SYSTEM

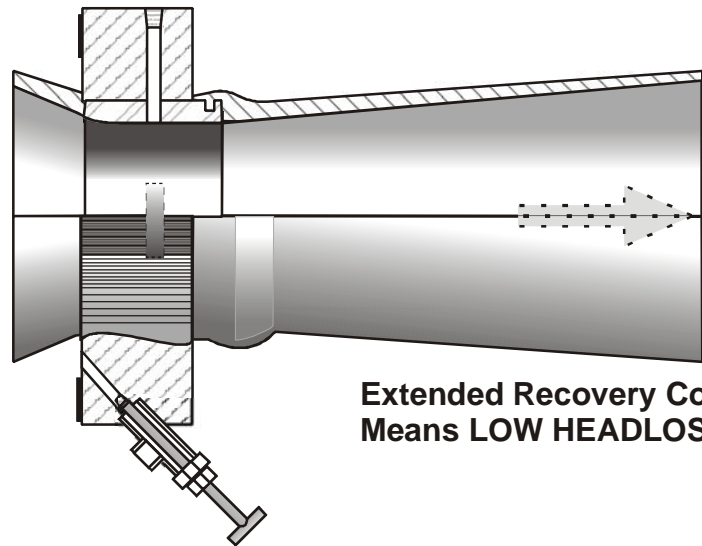
The HVT-DG Halmi Insert-Type Venturi Meter is Specially Designed to Provide High Accuracy with Low Headloss in a Defensible FLOW METERING SYSTEM.

The HVT-DG is NOT an Off-the-Shelf fix. It is specifically designed to satisfy the unique conditions of each individual field application...

**HVT-DG**  
DIGESTER GAS  
METERING SYSTEM

**FLOW**  
→

Each HVT-DG System includes FULL DOCUMENTATION traceable to NIST based on prior calibrations of similar size meters. THIS GIVES YOU BILLING QUALITY EQUIPMENT at an AFFORDABLE PRICE!



**Extended Recovery Cone  
Means LOW HEADLOSS!**

## APPLICATION DATA:

### Item #1

Digester gas metering is particularly difficult for most flow meters because the line pressure is generally very low (sometimes as low as 3" to 5" of water) and the gas has a changing specific gravity as well as being dirty and wet.

Many devices such as Thermal Dispersion and Pitot type meters do not have long term reliability since they are not adaptable to dirty and wet gas environments.

Pitot tubes generate very low differential signals which are either difficult or impossible for secondary instrumentation to accurately process.

### Item #2

The PFS HVT-DG series of Halmi Insert type Venturi Meters are designed specifically to provide a READABLE signal at the lowest stated flow rate, because the throat diameter is precisely geared to meet the needs of each individual application.

The HVT-DG is NOT an Off-the Shelf fix...It is designed to specifically satisfy the conditions found on each application.

### Item #3

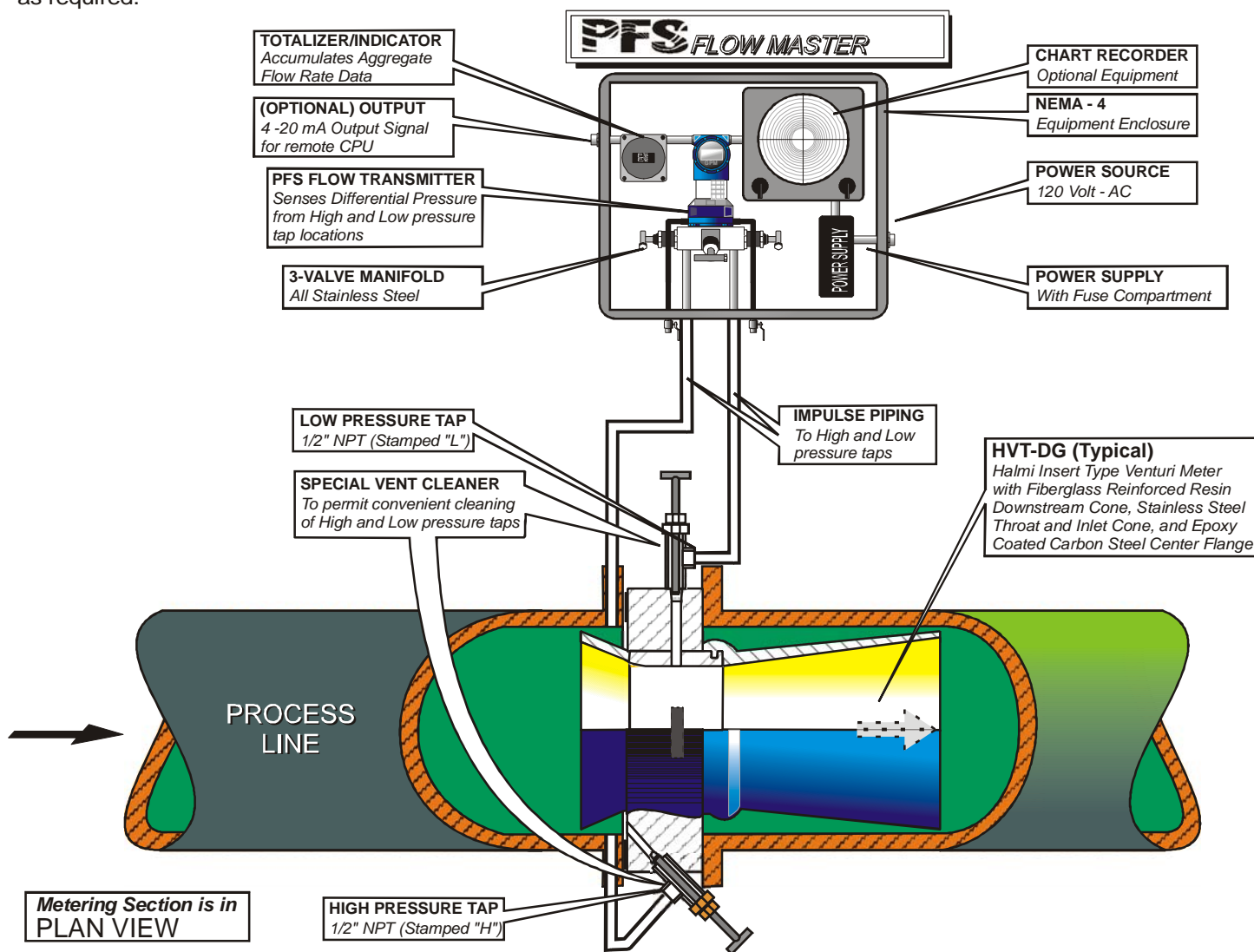
Because line pressures are generally very low for digester gas applications, the HVT-DG design provides HIGH ENERGY RECOVERY allowing even the most demanding, difficult head field conditions to be properly accommodated.

### Item #4

When the PFS FLOWMASTER Fully Integrated Secondary Metering System is included, as an option, the readout can be fully compensated for actual line conditions which greatly improves the accuracy of the readout in cases where the gas must be closely accounted for.

*If system accuracies in the range of 2 to 5 per cent are acceptable, the PFS-HP SMART differential pressure transmitter is the ideal secondary.*

The HVT-DG FLOWMASTER System can include not only the DP Transmitter (either standard digital or Multi-Variable with internal compensation) but also a local Totalizer/Indicator, Strip or 10.0" Circular Chart Recorder and Heat Tracing, as required.



Each HVT-DG system includes FULL DOCUMENTATION traceable to NIST based on prior calibrations of

For additional information on this metering solution or any other of our over 35 different Venturi Type Flow Meters, Please contact PFS, Inc.,  
**THE WORLD'S LARGEST SUPPLIER OF QUALITY FLOW METERING SOLUTIONS!**